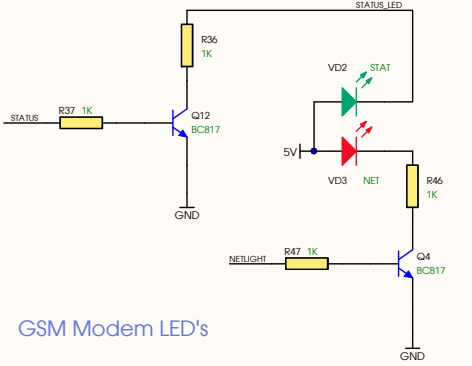
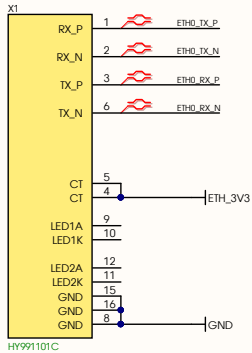


ETH0

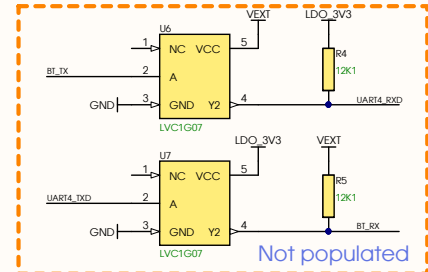
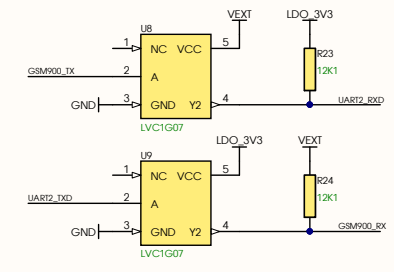


I2C0 Pull-Up

EV-IMX280-NANO Module

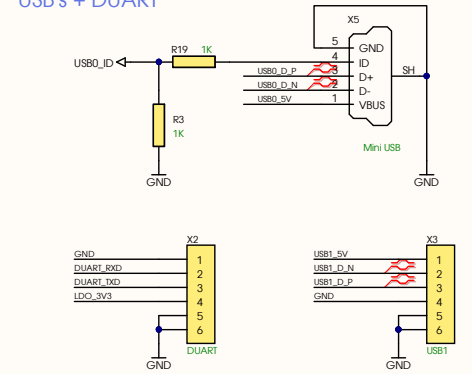
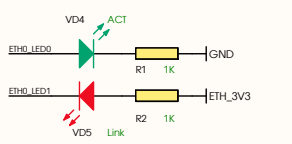
GND	0	0	GND
GND	1	2	GND
USB0_D_N	3	4	SSP0_CLK
USB0_D_P	5	6	SSP0_CMD
USB0_ID	7	8	SSP0_DA10
USB1_D_N	9	10	SSP0_DA11
USB1_D_P	11	12	SSP0_DA12
DUART_RXD	13	14	SSP0_DA13
DUART_TXD	15	16	SSP0_DET<C>
UART0_RXD	17	18	GPIO4_20
UART0_TXD	19	20	GPIO3_20
UART1_RXD	21	22	GPIO3_21
UART1_TXD	23	24	GPIO3_26
PWM3	25	26	GPIO1_26
PWM4	27	28	UART2_RXD
CPU_RST	29	30	UART2_TXD
ETH0_TX_N	31	32	UART3_RXD
ETH0_TX_P	33	34	UART3_TXD
ETH0_RX_N	35	36	UART4_RXD
ETH0_RX_P	37	38	UART4_TXD
ETH_3V3	39	40	I2C0_SCL
ETH0_LED1	41	42	I2C0_SDA
ETH0_LED0	43	44	GPIO2_21 CAN_TX1
GPIOC0_17	45	46	GPIO2_20 CAN_RX1
GPIOC0_21	47	48	GPIO3_3 CAN_TX0
SV	49	50	GPIO3_2 CAN_RX0
SV	51	52	SV

Level translators

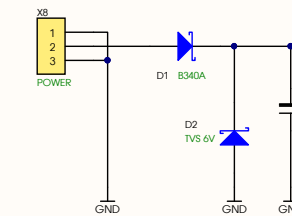
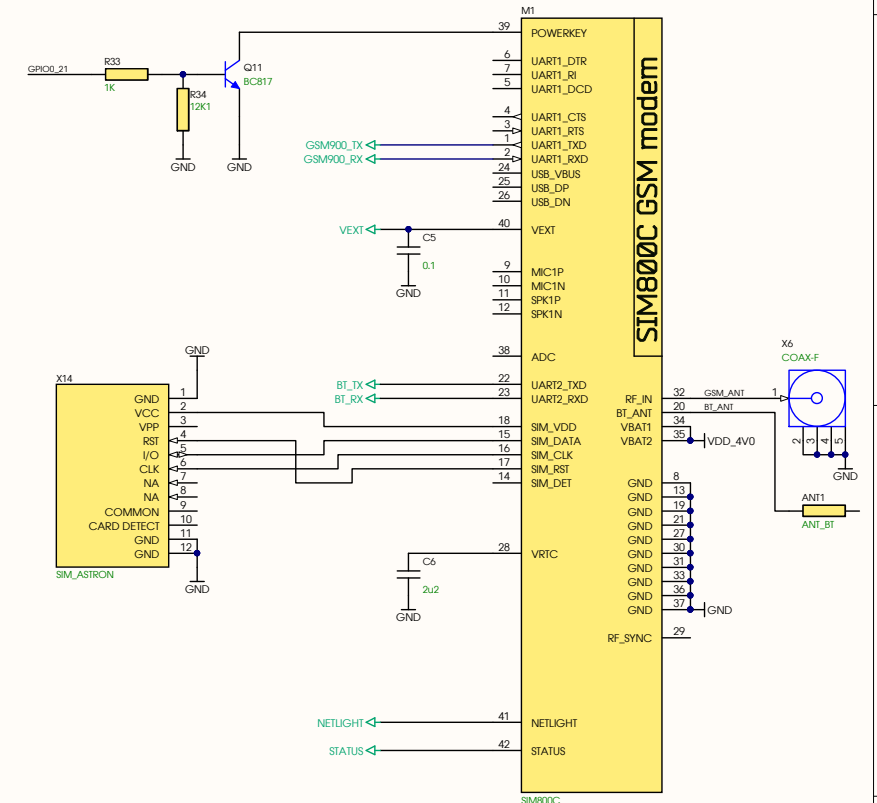
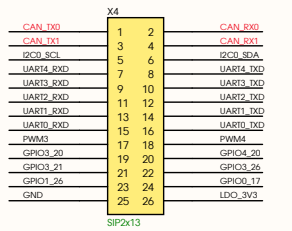


GSM Modem LED's

USB's + DUART

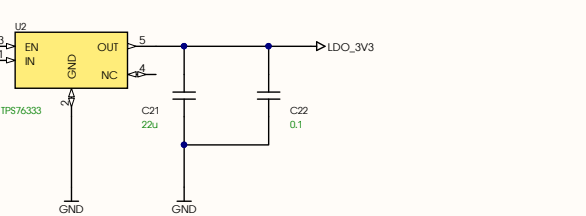


EXT interfaces

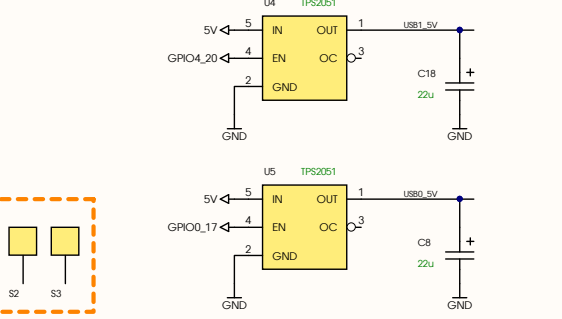


3V3 LDO

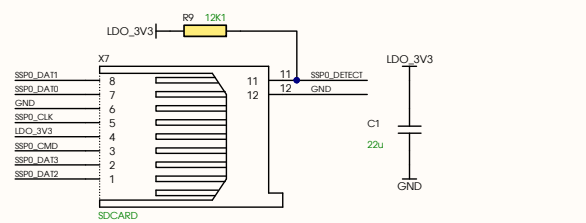
5V Power Connector



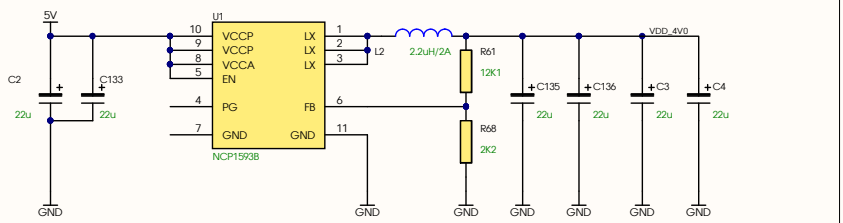
USB0 SWITCH



microSD card connector



Reset Button



EV-IMX280-SIM800-MB
www.otlodka.com.ua

$$V_{out} = (R61 + R68) / R68 * 0.6 = 3.9V$$