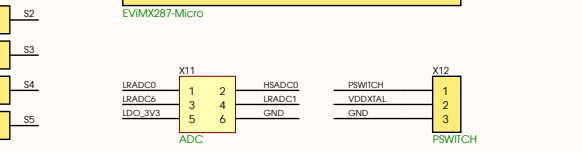
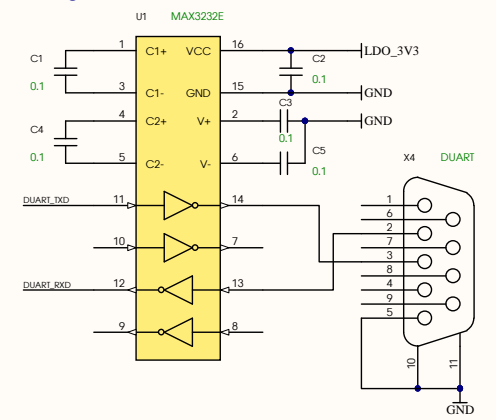


EV-IMX287-Micro Module

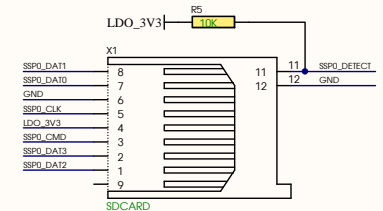
UART4_RXD 83	M1	UART4_RXD 83	UART4_RXD	SSP0_DETECT 2	SSP0_DETECT
UART4_TXD 84		UART4_TXD 84	UART4_TXD	SSP0_CLK 3	SSP0_CLK
UART3_RXD 87		UART3_RXD 87	UART3_RXD	SSP0_CMD 7	SSP0_CMD
UART3_TXD 88		UART3_TXD 88	UART3_TXD	SSP0_DAT0 6	SSP0_DAT0
UART3_CTS 85		UART3_CTS 85	UART3_CTS	SSP0_DAT1 4	SSP0_DAT1
UART3_RTS 86		UART3_RTS 86	UART3_RTS	SSP0_DAT2 1	SSP0_DAT2
UART2_RXD 89		UART2_RXD 89	UART2_RXD	SSP0_DAT3 5	SSP0_DAT3
UART2_TXD 90		UART2_TXD 90	UART2_TXD	LCD_RESET 8	LCD_RESET
UART1_RXD 91		UART1_RXD 91	UART1_RXD	SSP0_PWR_EN 33	SSP0_PWR_EN
UART1_TXD 92		UART1_TXD 92	UART1_TXD	LCD_RD 17	LCD_HSYNC
UART0_RXD 93		UART0_RXD 93	UART0_RXD	LCD_VSYNC 15	LCD_VSYNC
UART0_TXD 94		UART0_TXD 94	UART0_TXD	LCD_DCLK 20	LCD_DCLK
DIUARI_RXD 99		DIUARI_RXD 99	DIUARI_RXD	LCD_EN 13	LCD_EN
DIUARI_TXD 100		DIUARI_TXD 100	DIUARI_TXD	LCD_WR_RW 14	LCD_WR_RW
CAN0_RX 95		CAN0_RX 95	CAN_RX0	LCD_RS 11	DISPLAY_ON
CAN0_TX 96		CAN0_TX 96	CAN_TX0	LCD_CS 37	USB1_PWR_EN
CAN1_RX 97		CAN1_RX 97	CAN_RX1	LCD_CS 16	BLUE0
CAN1_TX 98		CAN1_TX 98	CAN_TX1	BLUE1 10	BLUE1
I2C0_SCL 107		I2C0_SCL 107	I2C0_SCL	BLUE2 18	BLUE2
I2C0_SDA 108		I2C0_SDA 108	I2C0_SDA	BLUE3 9	BLUE3
I2C1_SCL 105		I2C1_SCL 105	I2C1_SCL	BLUE4 19	BLUE4
I2C1_SDA 106		I2C1_SDA 106	I2C1_SDA	BLUE5 12	BLUE5
A_DOUT 109		SAIF1_SDATAD 109	SAIF1_SDATAD	BLUE6 21	BLUE6
A_BCLK 110		SAIF0_BTCCLK 110	SAIF0_BTCCLK	BLUE7 22	BLUE7
A_MCLK 111		SAIF0_MCLK 111	SAIF0_MCLK	GREEN0 23	GREEN0
A_DIN 112		SAIF0_SDATAD 112	SAIF0_SDATAD	GREEN1 29	GREEN1
A_WCLK 114		SAIF0_LRCLK 114	SAIF0_LRCLK	GREEN2 24	GREEN2
SPOIF 113		SPOIF 113	SPOIF	GREEN3 25	GREEN3
PWM3 103		PWM3 103	PWM3	GREEN4 27	GREEN4
PWM4 104		PWM4 104	PWM4	GREEN5 28	GREEN5
USB0_D_P 137		USB0_D_P 137	USB0_D_P	GREEN6 28	GREEN6
USB0_D_N 138		USB0_D_N 138	USB0_D_N	GREEN7 32	GREEN7
USB0_OVC 139		USB0_OVC 139	USB0_OVC	GREEN8 31	GREEN8
USB0_ID 140		USB0_ID 140	USB0_ID	RED0 30	RED0
USB1_D_P 141		USB1_D_P 141	USB1_D_P	RED1 36	RED1
USB1_D_N 142		USB1_D_N 142	USB1_D_N	RED2 35	RED2
USB1_OVC 135		USB1_OVC 135	USB1_OVC	RED3 34	RED3
ETH0_TX_N 145		ETH0_TX_N 145	ETH0_TX_N	RED4 40	RED4
ETH0_TX_P 146		ETH0_TX_P 146	ETH0_TX_P	RED5 39	RED5
ETH0_RX_N 150		ETH0_RX_N 150	ETH0_RX_N	RED6 38	RED6
ETH0_RX_P 149		ETH0_RX_P 149	ETH0_RX_P	RED7 37	RED7
ETH0_LED1 143		ETH0_LED1 143	ETH0_LED1	SSP2_MISO 41	SSP2_MISO
ETH0_LED0 144		ETH0_LED0 144	ETH0_LED0	SSP2_MOSI 45	SSP2_MOSI
LRADC0 129		LRADC0 129	LRADC0	SSP2_SCK 42	SSP2_SCK
LRADC1 132		LRADC1 132	LRADC1	SSP2_CS1 49	SSP2_CS1
TSX+ 133		TSX+ 133	TSX+	SSP2_CS2 56	SSP2_CS2
TSX- 134		TSX- 134	TSX-	SSP3_MISO 43	SSP3_MISO
HSADC0 131		HSADC0 131	HSADC0	SSP3_MOSI 47	SSP3_MOSI
LRADC6 130		LRADC6 130	LRADC6	SSP3_SCK 44	SSP3_SCK
CPU_RST 136		CPU_RST 136	CPU_RST	SSP3_CS0 50	SSP3_CS0
LDO_3V3 115		LDO_3V3 115	LDO_3V3	SSP1_SCK 46	SSP1_SCK
PSWITCH 117		PSWITCH 117	PSWITCH	SSP1_CMD 48	SSP1_CMD
VDD3XTAL 118		VDD3XTAL 118	VDD3XTAL	SSP1_DAT0 51	SSP1_DAT0
VDD4P2 121		VDD4P2 121	VDD4P2	SSP1_DAT3 58	SSP1_DAT3
LHON 122		LHON 122	LHON	SSP0_DAT14 54	SSP0_DAT14
5V 119		5V 119	5V	SSP0_DAT5 53	SSP0_DAT5
5V 120		5V 120	5V	SSP0_DAT6 52	SSP0_DAT6
5V 125		5V 125	5V	SSP0_DAT7 55	SSP0_DAT7
5V 126		5V 126	5V	GPML_D0 66	GPML_D0
GND 123		GND 123	GND	GPML_D1 63	GPML_D1
GND 124		GND 124	GND	GPML_D2 64	GPML_D2
GND 148		GND 148	GND	GPML_D3 62	GPML_D3
				GPML_D4 61	GPML_D4
				GPML_D5 60	GPML_D5
				GPML_D6 57	GPML_D6
				GPML_D7 59	GPML_D7
				GPML_WR 67	GPML_WR
				GPML_RD 68	GPML_RD
				GPML_CE1 71	GPML_CE1
				GPML_CE1 70	GPML_CE1
				GPML_CLE 65	GPML_CLE
				GPML_CEO 101	GPML_CEO
				GPML_CEO 102	GPML_CEO
				ENET1_RST 72	ENET1_RST
				ENET1_TXD0 73	ENET1_TXD0
				ENET1_TXD1 74	ENET1_TXD1
				ENET1_TX_EN 75	ENET1_TX_EN
				ENET1_RX_EN 76	ENET1_RX_EN
				ENET1_RXD0 77	ENET1_RXD0
				ENET1_RXD1 78	ENET1_RXD1
				ENET1_CLK 79	ENET1_CLK
				ENET1_INT 80	ENET1_INT
				ENET1_MDIO 81	ENET1_MDIO
				ENET1_MDC 82	ENET1_MDC



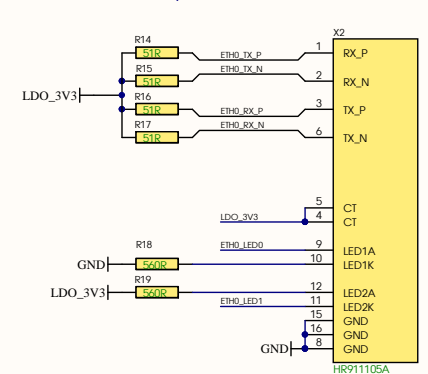
Debug RS-232 (DUART)



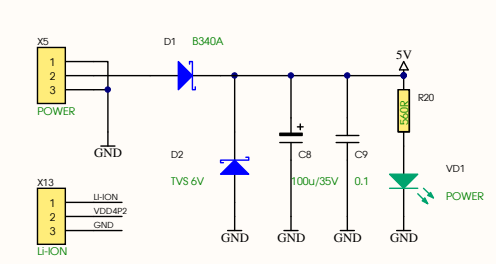
SDcard holder



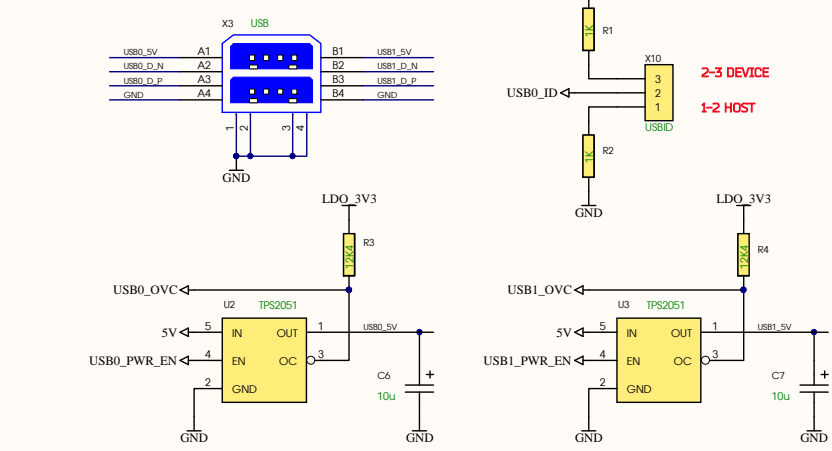
ETH0 Ethernet 10/100



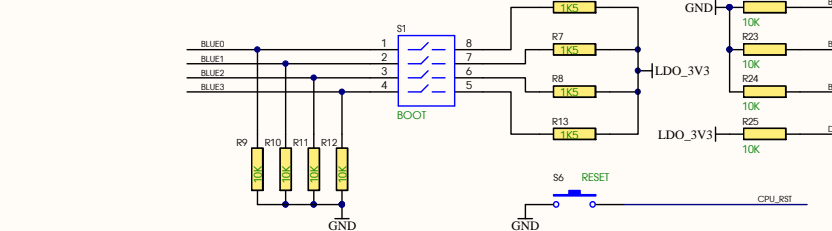
5V power connector



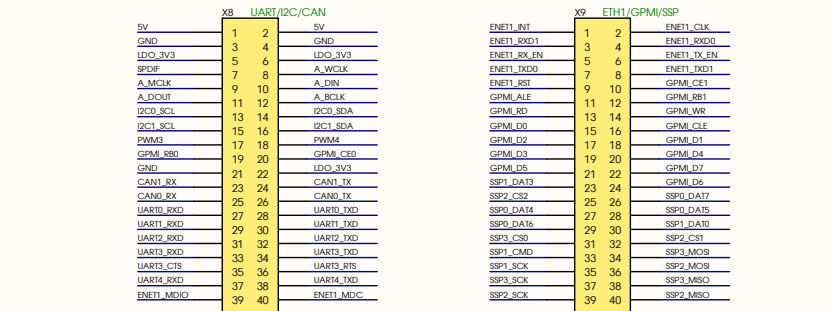
USB switches



BOOT select



Expansion connector



USER Led

